

UL-EU CERTIFICATE

Certificate No. UL-EU-00910-CPR
Page 1/9
Date of Issue 2015-10-09
Revised 2019-08-07

Certificate Holder Polyseam Ltd
15 St Andrews Road
Huddersfield, West Yorkshire
HD1 6SB, United Kingdom

Manufacturer Polyseam Ltd
15 St Andrews Road
Huddersfield, West Yorkshire
HD1 6SB, United Kingdom

Certified Product Type Fire Stop - Sealant
Product Trade Name Protecta FR IPT
Trademark N/A
Rating/Classification See Appendix

Harmonised Technical Specifications EAD 350454-00-1104, September 2017/ EAD 350141-00-1106/ EN 13501-2

Supporting Documentation ETA 18/0901, ETA 18/0902, EC – CERTIFICATE OF CONFORMITY - 0843 – CPR – 0164 and Classification Report No. 13CA40986 Issue 1 / 4788672825 Issue 1 / 4788672830 Issue 1

Additional information Additional test evidence is held on file
Expiry date 2025-10-08



A handwritten signature in purple ink, appearing to read 'Chris Miles', is written over a horizontal line.

Head of Notified Body
Chris Miles

This is to certify that representative samples of the Certified Product listed above have been investigated by Underwriters Laboratories to the Standard(s) indicated on this Certificate, in accordance with the UL Global Services Agreement and the UL-EU Mark Service Terms and Conditions ("Agreement"). The Certificate Holder is entitled to use the UL-EU Mark for the Certified Product listed on the certificate and manufactured at the production site(s) listed, in accordance with the terms of the Agreement. Only those products bearing the UL-EU Mark for Europe should be considered as being covered by UL's UL-EU Mark Service. This Certificate shall remain valid through the Expiration date, unless a Standard identified on this Certificate is amended or withdrawn prior to that date or there is a non-compliance with the Agreement.



Appendix UL-EU CERTIFICATE

Certificate No. UL-EU-00910-CPR
Page 2/9
Date of Issue 2015-10-09

This certificate relates to the use of Protecta FR IPT sealant for fire stopping where there are joints in or between walls and floors or service penetrations through floors and walls. The detailed scope is given in pages 3 to 8 of this Certificate. This shows the thickness and acceptable dimensions, substrates and orientations required to provide fire resistance periods of up to 240 minutes for differing services and wall/floor constructions.

The product is certificated on the basis of:

- i) ETA 18/0901 & ETA 18/0902
- ii) EC – CERTIFICATE OF CONFORMITY - 0843 – CPR – 0164
- iii) Classification report No. 13CA40986
- iv) Classification Report No. 4788672830
- v) Classification Report No. 4788672825 Issue 1
- vi) Inspection and surveillance of factory production control by UL
- vii) Fire resistance test data in accordance with EN 1366-3: 2009 and 1366-4: 2006
- viii) Classification in accordance with EN 13501-2
- ix) Durability and Serviceability as defined in EAD 350141-00-1106

The movement capability of Protecta FR IPT joint seals is restricted to $\leq 7.5\%$

The durability class of Protecta FR IPT is X - intended for use at conditions exposed to weathering. Includes lower use categories.

Protecta FR IPT is a sealant used to form linear gap seals where gaps are present in wall and floor constructions and linear joint seals where wall and floor constructions abut. The sealant may also be used to form a penetration seal around metallic pipes and plastic pipes to reinstate the fire resistance performance of wall and floor constructions, where they have been provided with apertures for the penetration of services.

The Protecta FR IPT sealant is supplied in liquid form contained within 200 ml, 300 ml, 380 mm and 600 ml containers. The sealant is gunned into the aperture in the separating element/elements to a specified depth.



Appendix UL-EU CERTIFICATE

Certificate No. UL-EU-00910-CPR
 Page 3/9
 Date of Issue 2015-10-09

Product-type: Sealant		Intended use: Linear Joint, Gap Seal & Penetration Seal
Assessment method	Essential characteristic	Product Performance
BWR 2 Safety in case of fire		
EN 13501-1	Reaction to fire	Class D-s2, d0
EN 13501-2	Resistance to fire	See pages 4 & 5
BWR 3 Hygiene, health and environment		
Declaration of manufacturer & EN 16516	Content, emission and/or release of dangerous substances	Declaration of manufacturer
EN 1026:2000	Air permeability (material property)	No performance determined
EAD 350141-00-1106, Annex C & EN 12390-8	Water permeability (material property)	No performance determined
BWR 4 Safety in use		
EOTA TR 001:2003	Mechanical resistance and stability	No performance determined
EOTA TR 001:2003	Resistance to impact/movement	No performance determined
EOTA TR 001:2003 ISO 11600 & EAD 350141-00-1106, Clause 2.2.13	Adhesion	No performance determined
EAD 350141-00-1106, Clause 2.2.12	Durability	X
EAD 350141-00-1106, Clause 2.2.13	Movement capacity	No performance determined
EAD 350141-00-1106, Clause 2.2.14	Cycling of perimeter seals for curtain walls	No performance determined
EAD 350141-00-1106, Clause 2.2.15	Compression set	No performance determined
EAD 350141-00-1106, Clause 2.2.16	Linear expansion on setting	No performance determined
BWR 5 Protection against noise		
EN 10140-1,2,4,5/ EN ISO 717-1	Airborne sound insulation	Rw (C;Ctr)= 62 (0;-4) dB*
BWR 6 Energy economy and heat retention		
EN 12664, EN 12667, EN 12939, EN ISO 8990, EN ISO 6946, EN ISO 10456	Thermal properties	No performance determined
EN ISO 12572, EN 12086, EN ISO 10456	Water vapour permeability	No performance determined
*At minimum 12 mm depth and only applicable to linear joint and gap seals		



Appendix UL-EU CERTIFICATE

Certificate No. UL-EU-00910-CPR
 Page 4/9
 Date of Issue 2015-10-09

Protecta FR IPT: Linear Gaps Within Head of Flexible Wall to Concrete Floor Soffit								
Substrates	Minimum Substrate Thickness (mm)	Maximum Gap Size (mm)	Seal Position	Minimum Seal Depth (mm)	Backing Material	Minimum Backing Depth (mm)	Fire Resistance (mins.)	
							E	EI
Wall/Floor	75	25	Both Sides	12.5	Minimum 50 mm steel partition head track /stud	N/A	60	45
	100	30			Stonewool minimum 35 kg/m ³ plus minimum 50 mm steel partition head track	12.5	120	120
		25			Minimum 50 mm steel partition head track /stud	N/A	90	60
		15			Minimum 50 mm steel partition head track /stud	N/A	120	120

Protecta FR IPT: Linear Gaps Within Flexible Walls up to 3m High or Rigid Walls								
Substrate	Minimum Substrate Thickness (mm)	Maximum Gap Size (mm)	Seal Position	Minimum Seal Depth (mm)	Backing Material	Minimum Backing Depth (mm)	Fire Resistance (mins.)	
							E	EI
Wall/Floor	100	30	Both Sides	12.5	Stonewool minimum 35 kg/m ³	12.5	120	120

Gap may be vertical or horizontal orientated.
 Gaps in flexible partition constructions shall be additionally constructed such that a 50 mm partition stud or channel lines each side of the gap positioned with the section's web towards the gap.



Appendix UL-EU CERTIFICATE

Certificate No. UL-EU-00910-CPR
 Page 5/9
 Date of Issue 2015-10-09

Protecta FR IPT: Linear Gaps Within Head of Rigid Wall to Concrete Floor Soffit or Between Rigid Walls

Substrate	Minimum Substrate Thickness (mm)	Maximum Gap Size (mm)	Seal Position	Minimum Seal Depth (mm)	Backing Material	Minimum Backing Depth (mm)	Fire Resistance (mins.)	
							E	EI
Concrete/ masonry	150	30	One Side	15	Stonewool minimum 33 kg/m ³	45	240	60
			Both Sides	15 to each side	Stonewool minimum 33 kg/m ³	45	240	240

Soffit mounted seals shall be arranged such that the sealant is on the upper surface of the backing material.



Appendix UL-EU Certificate

Certification Mark UL-EU mark
Certificate No. UL-EU-00910-CPR
Page 6/9
Date of Issue 2015-10-09

Protecta FR IPT: Linear Gaps Within Concrete Floors

Substrate	Minimum Substrate Thickness (mm)	Maximum Gap Size (mm)	Seal Position	Minimum Seal Depth (mm)	Backing Material	Minimum Backing Depth (mm)	Fire Resistance (mins.)	
							E	EI
Concrete	150	30	Both Sides	15 to each side	Stonewool minimum 33 kg/m ³	20	240	240
			Soffit	25	Protecta Mineral Fibre BIO 128 kg/m ³	48	240	180

Soffit mounted seals shall be arranged such that the sealant is on the upper surface of the backing material.



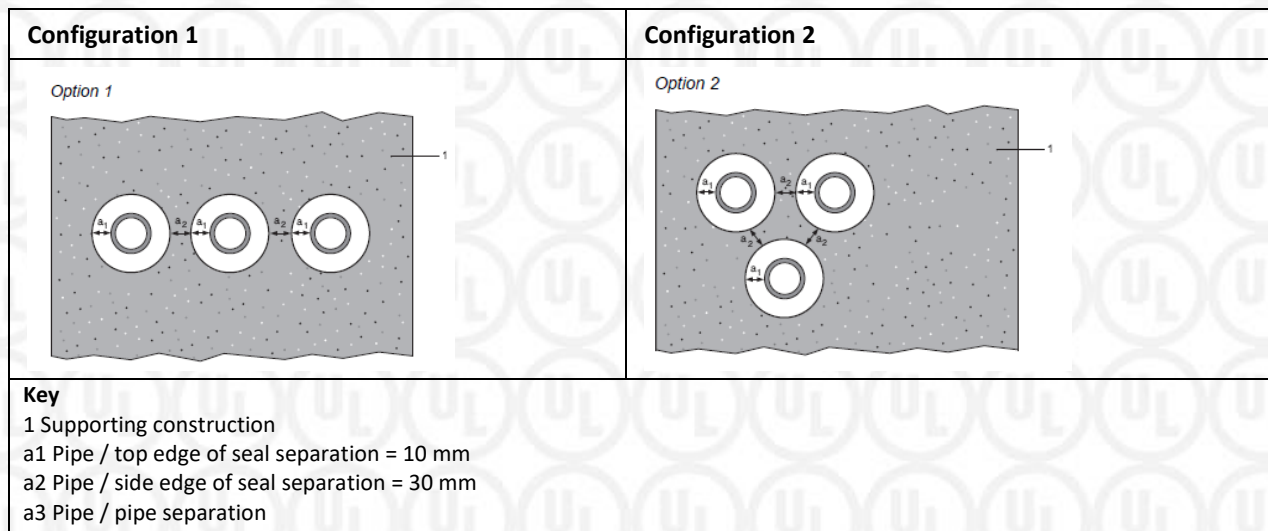
Appendix UL-EU Certificate

Certification Mark **UL-EU mark**
 Certificate No. **UL-EU-00910-CPR**
 Page **7/9**
 Date of Issue **2015-10-09**

PROTECTA FR IPT: Service Penetration Seals in Walls									
Substrate	Minimum Substrate Thickness (mm)	Opening Size (mm)	Penetrating Services	Seal Position	Minimum Seal Depth (mm)	Backing Material	Minimum Backing Depth (mm)	Fire Resistance (mins.)	
								E	EI
Drywall/ Masonry/ Concrete	100	Maximum annular ring width 30 mm	Alupex composite pipe 16-20 mm diameter/2.0 mm wall	Both Sides	12.5	Stone Mineral Wool*	12.5	120	120
			Steel pipe 4-22 mm diameter/1.0-11.0 mm wall#					120	120
			Copper or steel pipe 6-12 mm diameter/0.8-6.0 mm wall					120	60
		Pipe + minimum 10 mm annular space	PVC-U (pipe according to EN 1329-1, EN 1452-1 and EN 1453-1, PVC-C according to EN 1566-1) 6-32 mm Ø/1.0-2.4 mm wall		25	none	none	90	90
			PP (pipe according to EN 1451-1) 12-32 mm Ø/1.8-4.4 mm wall					90	90
			PE (pipe according to EN 1519-1, EN 12201-2 and EN 12666-1, ABS according to EN 1455-1 and pipes made from SAN+PVC according to EN 1565-1) 20-32 mm Ø/2.0-3.0 mm wall					90	90

* 33 kg/m³

All pipe classifications are pipe end configurations C/C, with the exception of those marked '# ' which are C/U, U/C and C/C (U=Uncapped, C=Capped).



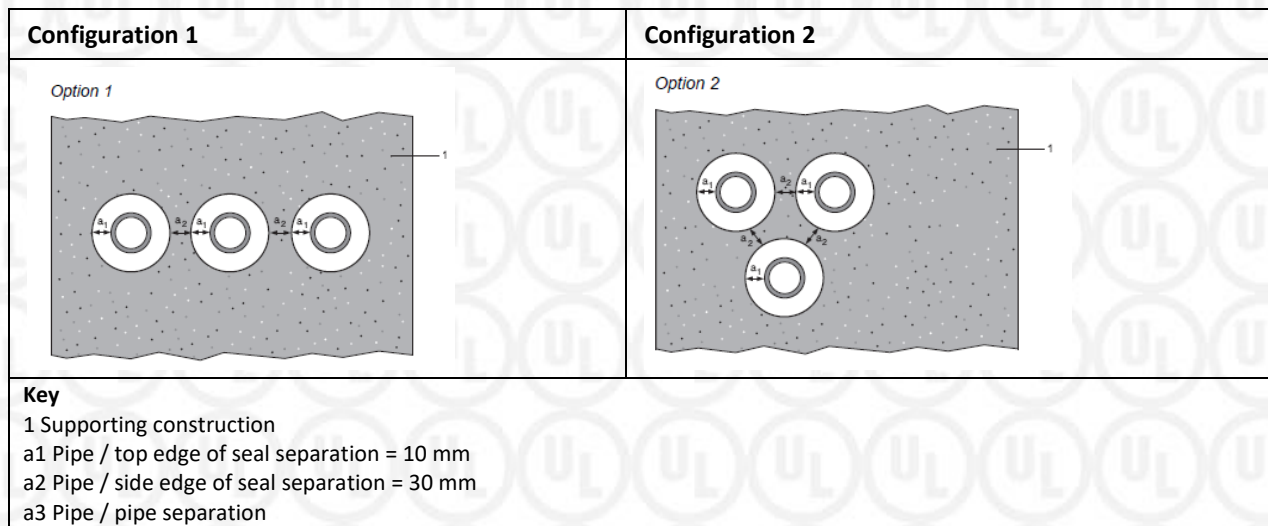
Appendix UL-EU Certificate

Certification Mark **UL-EU mark**
 Certificate No. **UL-EU-00910-CPR**
 Page **8/9**
 Date of Issue **2015-10-09**

PROTECTA FR IPT: Single Sided Penetration Seals in Floors									
Substrate	Minimum Substrate Thickness (mm)	Opening Size (mm)	Penetrating Services	Seal Position	Minimum Seal Depth (mm)	Backing Material	Minimum Backing Depth (mm)	Fire Resistance (mins.)	
								E	EI
Concrete	150	Maximum annular ring width 30 mm	Steel pipe 4-16 mm diameter/1.0-8.0 mm wall#	Top side of floor	25	Stone Mineral Wool*	48	120	120
			Copper or steel pipe up to 10 mm diameter/0.7-5.0 mm wall					120	120
			Copper or steel pipe 11-15 mm diameter/0.7-7.5 mm wall					120	45
			Alupex composite pipe 16-20 mm diameter/2.0 mm wall					120	120
		Pipe + minimum 10 mm annular space	PVC-U (pipe according to EN 1329-1, EN 1452-1 and EN 1453-1, PVC-C according to EN 1566-1) 6-32 mm Ø/1.0-2.4 mm wall**			120	120		
			PP (pipe according to EN 1451-1) 12-32 mm Ø/1.8-4.4 mm wall**			120	120		
PE (pipe according to EN 1519-1, EN 12201-2 and EN 12666-1, ABS according to EN 1455-1 and pipes made from SAN+PVC according to EN 1565-1) 20-32 mm Ø/2.0-3.0 mm wall**	120		120						

* 35 kg/m³

All pipe classifications are pipe end configurations C/C, with the exception of those marked '#' which are C/U, U/C and C/C, or those marked '**' which are U/C and C/C (U=Uncapped, C=Capped).



Appendix UL-EU Certificate

Certification Mark	UL-EU mark
Certificate No.	UL-EU-00910-CPR
Page	9/9
Date of Issue	2015-10-09

The UL-EU Mark, as displayed below, shall appear on certified products only. Minimum size is not specified, as long as the Mark is legible. The following is suggested.



The minimum height of the registered trademark symbol ® shall be 1 mm. When the overall diameter of the UL-EU Mark is less than 9.5 mm, the trademark symbol may be omitted if it is not legible to the naked eye.

The UL-EU Mark may appear on a label, nameplate, or may be cast, stamped or molded into the product. When appearing on a label or nameplate, the Manufacturer's name or trademark along with a model number are also required on that same label or nameplate. If cast, stamped or molded, the Manufacturer's name or trademark and model number shall also appear elsewhere on the product.

All content shall be in accordance with the details provided on this UL-EU Certificate.

PROCUREMENT

The Production site may reproduce the Mark or obtain it from a UL authorized supplier. The list of UL authorized suppliers can be found on UL's online directory at www.ul.com.

